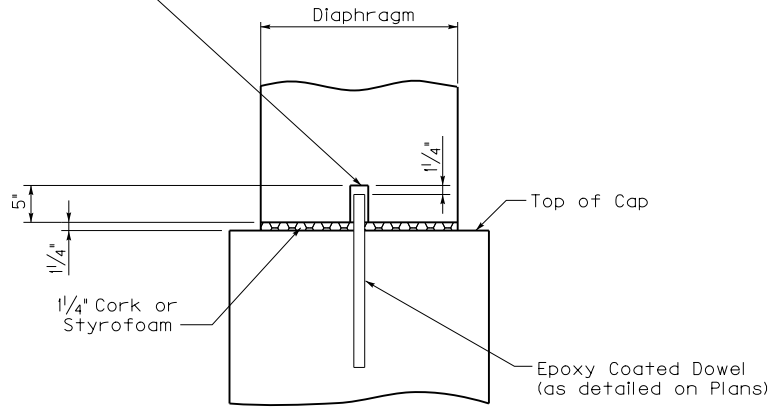
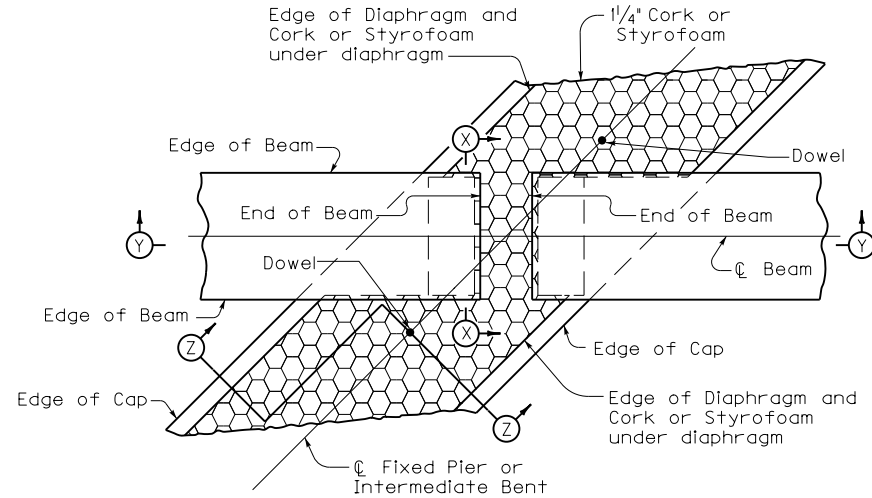


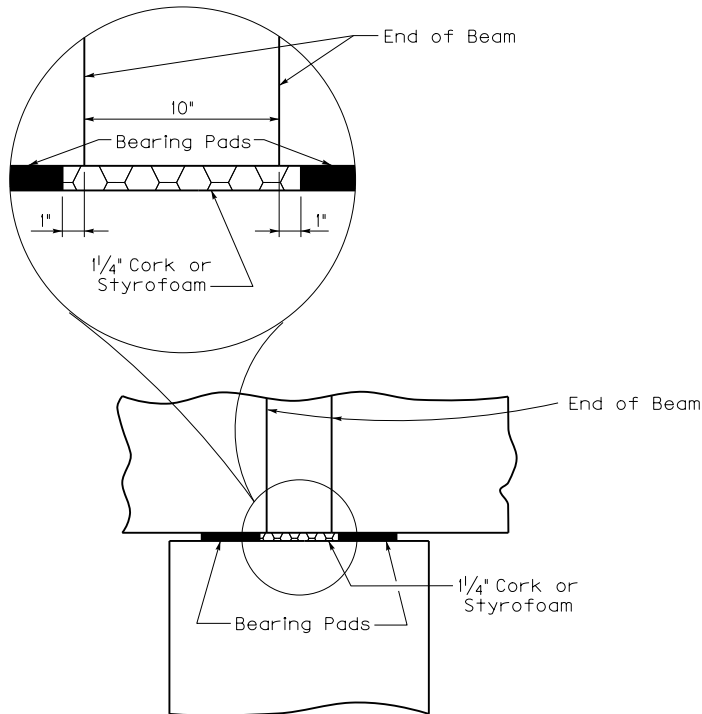
Std. Wt. 2" Commercial Pipe Sleeve closed at one end and 5" long. Secure Pipe Sleeve to prevent floating while placing Concrete. Sleeve is to sit on Cork or Styrofoam. Pipe Sleeve is to be incidental to Diaphragm Concrete.



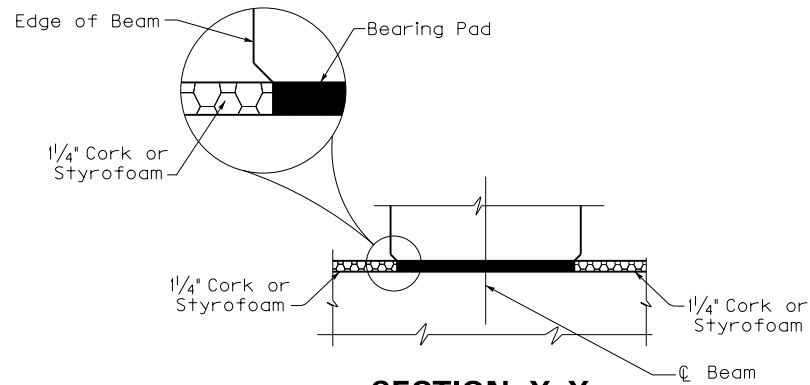
SECTION Z-Z



PLAN



SECTION Y-Y



SECTION X-X

**KENTUCKY
DEPARTMENT OF HIGHWAYS**

BEARING DETAILS

STANDARD DRAWING NO. BBP-002-04

SUBMITTED	<i>[Signature]</i> DIRECTOR, DIVISION OF BRIDGE DESIGN	12-01-99 DATE
APPROVED	<i>[Signature]</i> STATE HIGHWAY ENGINEER	12-01-99 DATE